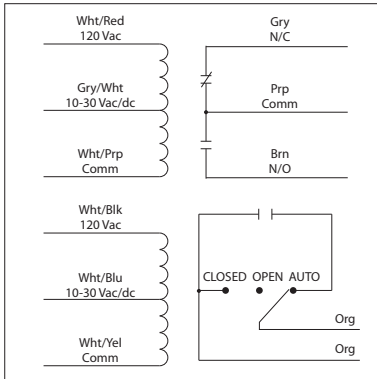


10 AMP PILOT CONTROL RELAY

RIBU2SC

Enclosed Relays 10 Amp SPST-N/O + Override
+ 1 SPDT with 10-30 Vac/dc/120 Vac Coil



RELAYS

SPECIFICATIONS

Relays & Contact Type: One (1) SPST + One (1) SPDT
Continuous Duty Coil

Expected Relay Life: 10 million cycles minimum mechanical
Operating Temperature: -30 to 140° F

Humidity Range: 5 to 95% (noncondensing)

Operate Time: 20ms

Relay Status: LED On = Activated

Dimensions: 2.30" x 3.20" x 1.80" with .75" NPT nipple

Wires: 16", 600V Rated

Approvals: UL Listed, UL916, UL864, C-UL California
State Fire Marshal

Housing Rating: UL Accepted for Use in Plenum, NEMA 1

Gold Flash: Yes

Override Switch: Yes

Contact Ratings:

10 Amp Resistive @ 277 Vac
480 VA Pilot Duty @ 277 Vac
480 VA Ballast @ 277 Vac
Not rated for Electronic Ballast
600 Watt Tungsten @ 120 Vac (N/O)
240 Watt Tungsten @ 120 Vac (N/C)
1/3 HP @ 120-240 Vac (N/O)
1/6 HP @ 120-240 Vac (N/C)
1/4 HP @ 277 Vac (N/O)
1/8 HP @ 277 Vac (N/C)

Coil Current:

33 mA @ 10 Vac
35 mA @ 12 Vac
46 mA @ 24 Vac
55 mA @ 30 Vac
28 mA @ 120 Vac
13 mA @ 10 Vdc
15 mA @ 12 Vdc
18 mA @ 24 Vdc
20 mA @ 30 Vdc

Coil Voltage Input:

10-30 Vac/dc ; 120 Vac ; 50-60 Hz
Drop Out = 2.1 Vac / 2.8 Vdc
Pull In = 9 Vac / 10 Vdc

Notes:

• Order Normally Closed by adding
"-NC" to end of model number